

## EnduraliteLED 300W Flood Light

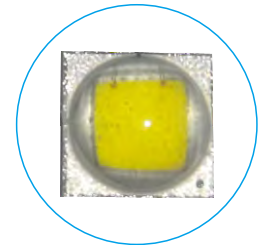


# ■ Specification

Model	HYD-SBAH
Power	300W
LED Engine	CREE XTE
Lumens	30000-32000Lm
Certificate	DLC UL cUL
Voltage	AC100-277V/347-528V
Frequency	50/60Hz
PF	>0.95
CCT	3000-6500K
CRI	>75Ra
Beam Angle	120° or 78x132° or 45x143°
Housing Material	Al
Working Temperature	-50°C +50°C
Life Span	L70 100,000hrs
Power Efficiency	≥90%
Warranty	5 years

# ■ Characteristics

- CREE XT-E chip , high luminous efficiency and L70 over 100,000 Hours.
- MEAN WELL high efficiency LED driver.
- Universal voltage AC90-277V, AC347-528V available.
- Fins cooling design, better cooling light quality, LED Tj< 65°C.
- Excellent optical design.
- Available with Photocell Sensor and Motion Sensor.
- IP65 rating for outdoor use.

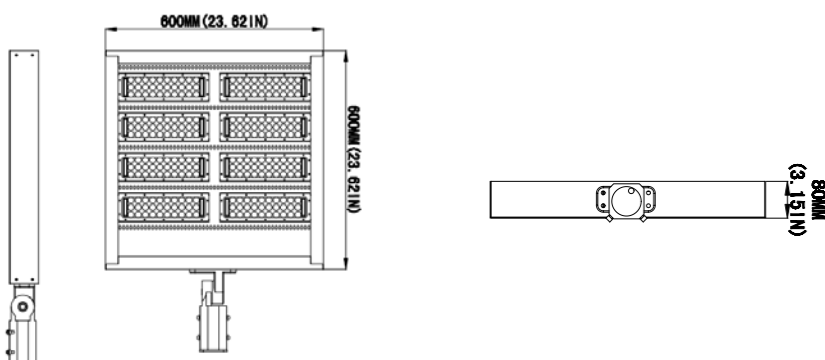


**CREE LED**

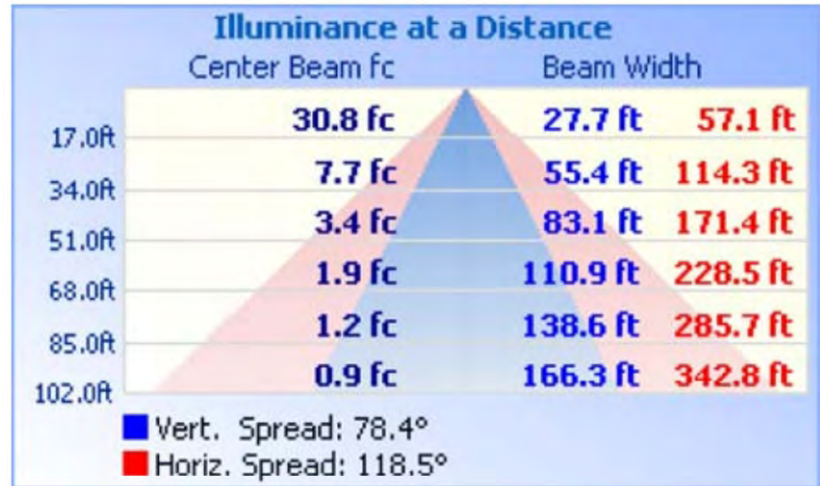
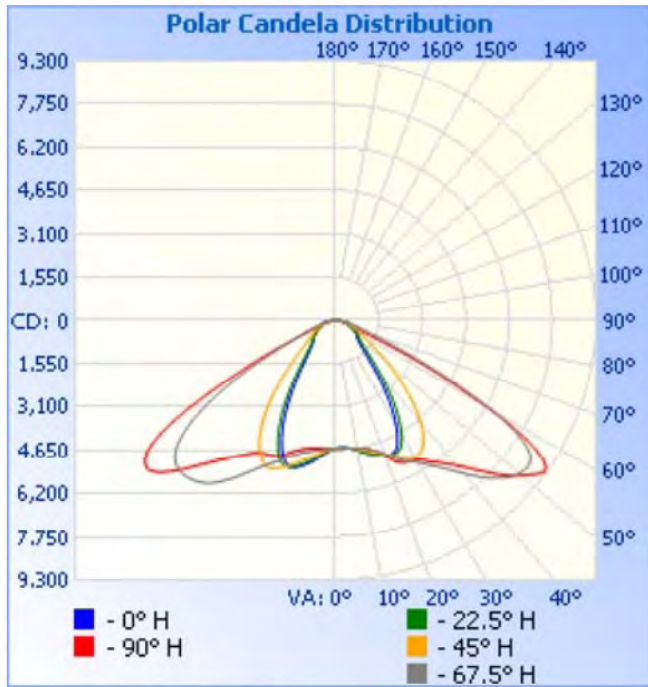


**Meanwell Driver**

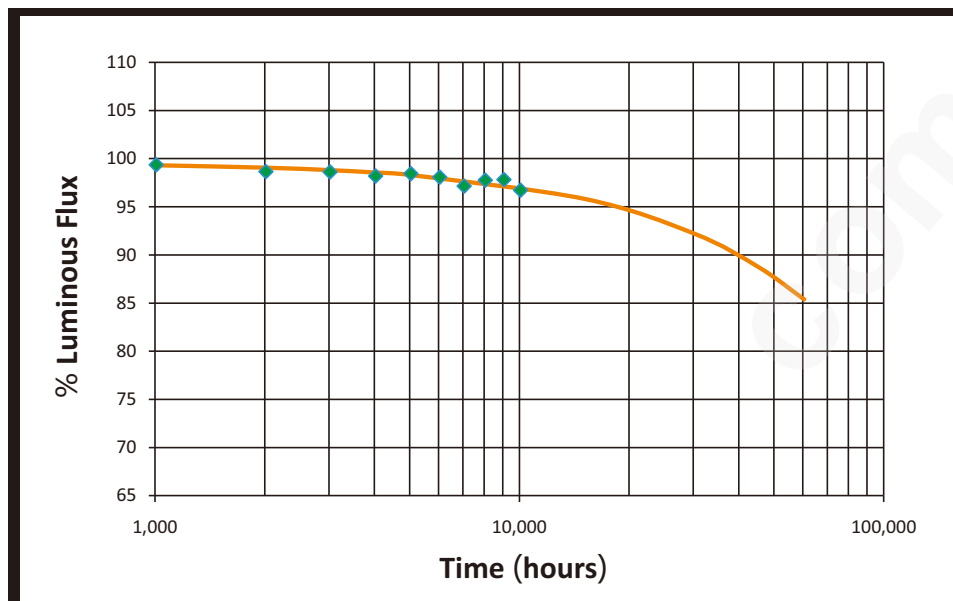
# ■ Dimensions



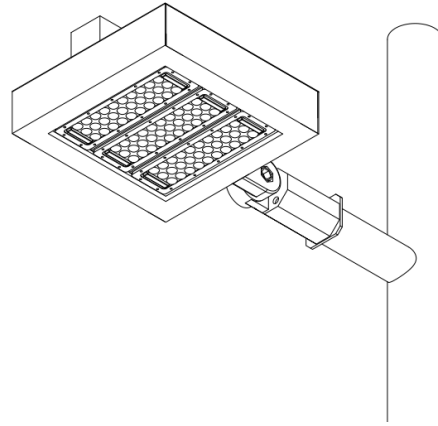
## Distribution Curve



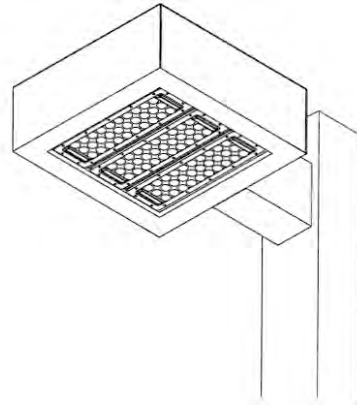
## Luminous Decay Graph



## ■ Round Arm Bracket.

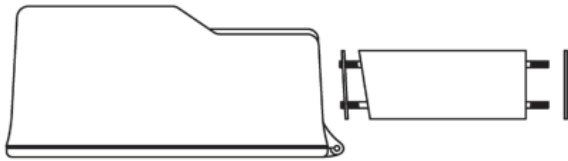


## ■ Square arm bracket.



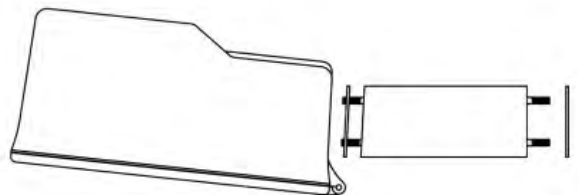
### **FIXED ARM**

For full cutoff, mount arm oriented as shown below.

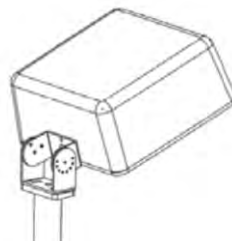


### **UP TILT FIXED ARM**

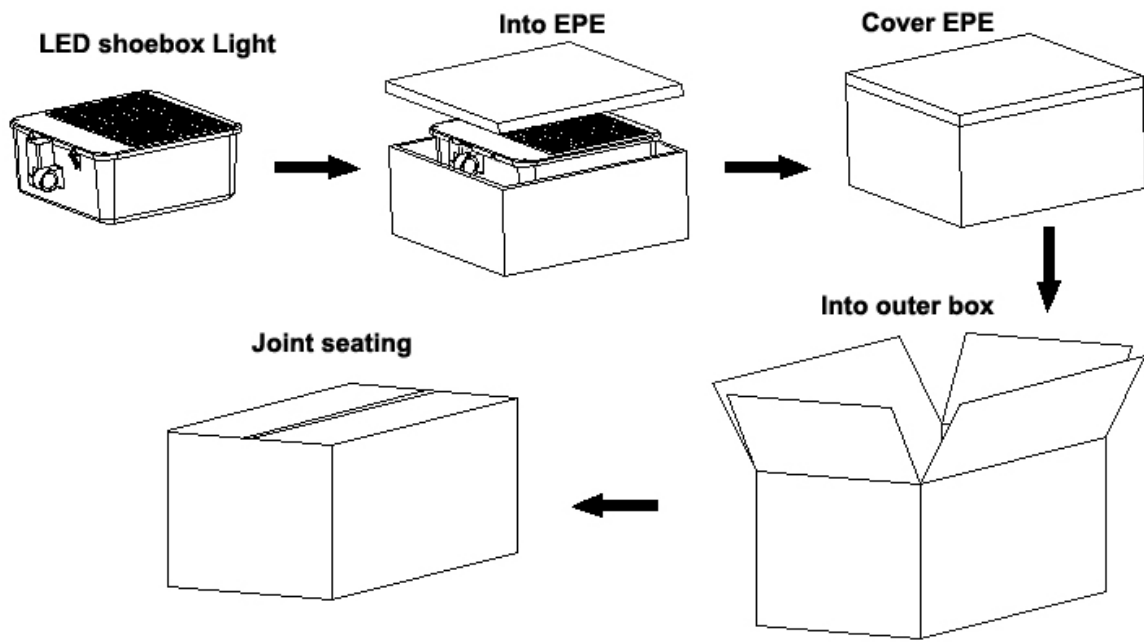
For 6 degree up tilt, mount arm oriented as shown below.



## ■ Swivel mounting bracket.



# ■ Shipping Information



N.W: 29.0KG  
G.W: 32.0KG  
Package Size: 71\*77\*21cm