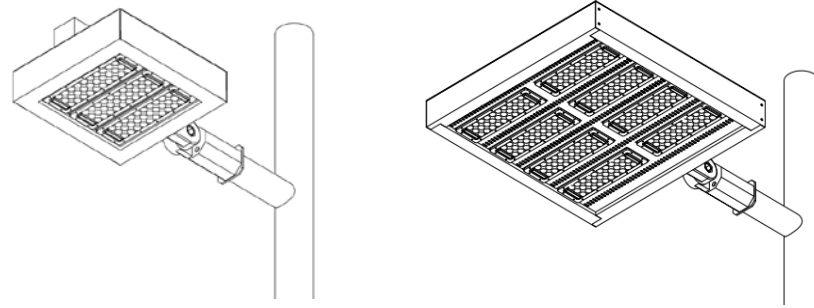


1. Round Arm Bracket.



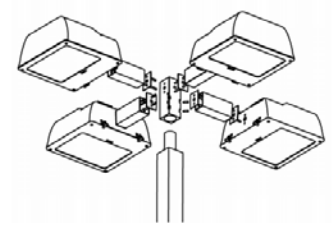
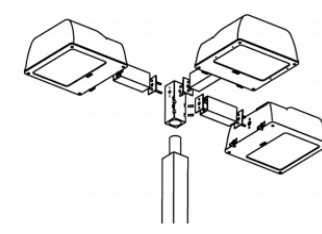
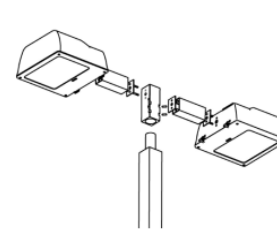
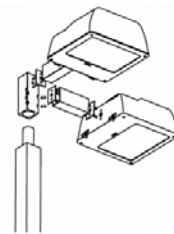
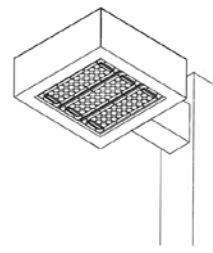
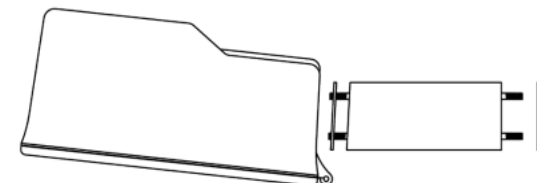
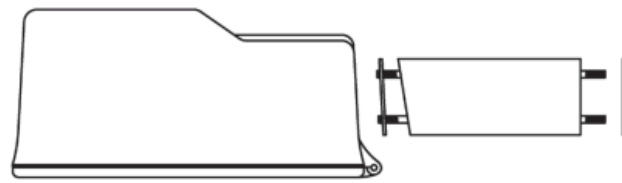
2. Square Arm Bracket.

FIXED ARM

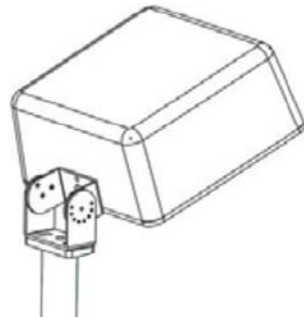
For full cutoff, mount arm oriented as shown below.

UP TILT FIXED ARM

For 6 degree up tilt, mount arm oriented as shown below.






3. Swivel Bracket.



Contact us for prices for 180-528VAC (347VAC & 480VAC)

All types of mounting brackets included in the price of the fixture.

Photo	Model	Power	Lumen	Voltage	CCT	CRI	Size	LED	LED Driver
	FLD-SHB-60W	60W	6000lm	100-277VAC	3000-6500K	72Ra	412*218*135mm	CREE XP-G2	Meanwell
	FLD-SHB-80W	80W	8000lm	100-277VAC	3000-6500K	72Ra	412*218*135mm	CREE XP-G2	Meanwell
	FLD-SHB-100W	100W	10000lm	100-277VAC	3000-6500K	72Ra	412*218*135mm	CREE XP-G2	Meanwell
	FLD-SHB-120W	120W	12000lm	100-277VAC	3000-6500K	72Ra	412*218*135mm	CREE XP-G2	Meanwell
	FLD-SHB-150W	150W	15000lm	100-277VAC	3000-6500K	72Ra	412*300*135mm	CREE XP-G2	Meanwell
	FLD-SHB-180W	180W	18000lm	100-277VAC	3000-6500K	72Ra	412*300*135mm	CREE XP-G2	Meanwell
	HYD-SBAF-200W	200W	20000lm	100-277VAC	3000-6500K	72Ra	412*382*135mm	CREE XP-G2	Meanwell
	FLD-SHB-240W	240W	24000lm	100-277VAC	3000-6500K	72Ra	412*382*135mm	CREE XP-G2	Meanwell
	FLD-SHB-300W	300W	30000lm	100-277VAC	3000-6500K	72Ra	600*600*135mm	CREE XP-G2	Meanwell
	FLD-SHB-400W	400W	40000lm	100-277VAC	3000-6500K	72Ra	600*600*135mm	CREE XP-G2	Meanwell
	FLD-SHB-450W	450W	43000lm	100-277VAC	3000-6500K	72Ra	600*600*135mm	CREE XP-G2	Meanwell
	FLD-SHB-600W	600W	68000lm	100-277VAC	3000-6500K	72Ra	680*600*135mm	CREE XT-E S3	Meanwell