

EnduraliteLED 120W-240W Flood Light



LM79
LM80

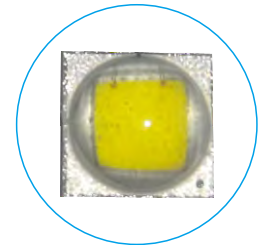


■ Specification

Model	FLD-SHB-120W	FLD-SHB-240W
Power	120W	240W
LED Engine	CREE XP-G2	CREE XP-G2
Lumens	12,000Lm	24,000Lm
Certificate	UL cUL	UL cUL
Voltage	AC100-277V/347-528V	AC100-277V/347-528V
Frequency	50/60Hz	50/60Hz
PF	>0.95	>0.95
CCT	3000-6500K	3000-6500K
CRI	>75Ra	>75Ra
Beam Angle	120°or78x132°or 45x143°	120°or78x132°or 45x143°
Housing Material	Al	Al
Working Temperature	-50°C +50°C	-50°C +50°C
Life Span	L70 >200,000hrs	L70 >200,000hrs
Power Efficiency	≥90%	≥90%
Warranty	5 years	5 years

■ Characteristics

- CREE XP-G2 chip , high luminous efficiency and L70 over 100,000
- Hours MEAN WELL high efficiency LED driver
- Universal voltage AC90-277V, AC347-528V available
- Efficient cooling design, LED Tj< 65°C
- Excellent optical design.
- Available with Photocell Sensor and Motion Sensor
- IP65 rating for outdoor use

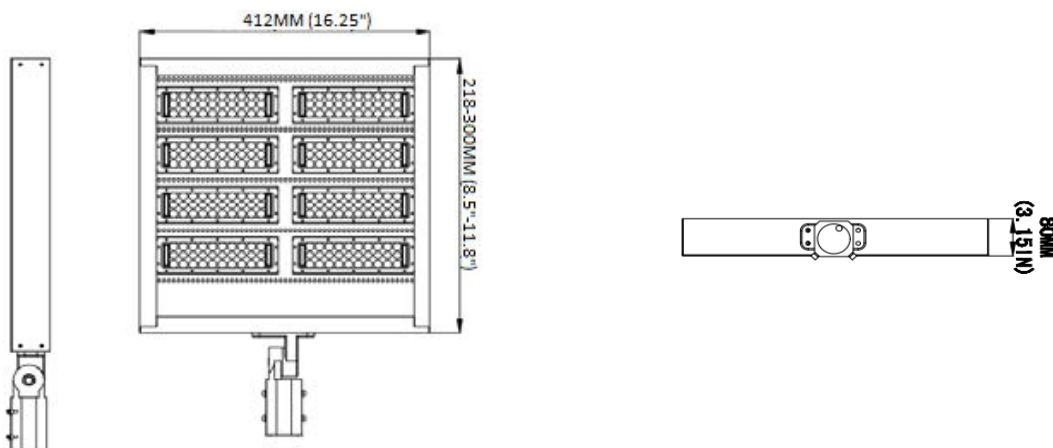


CREE LED

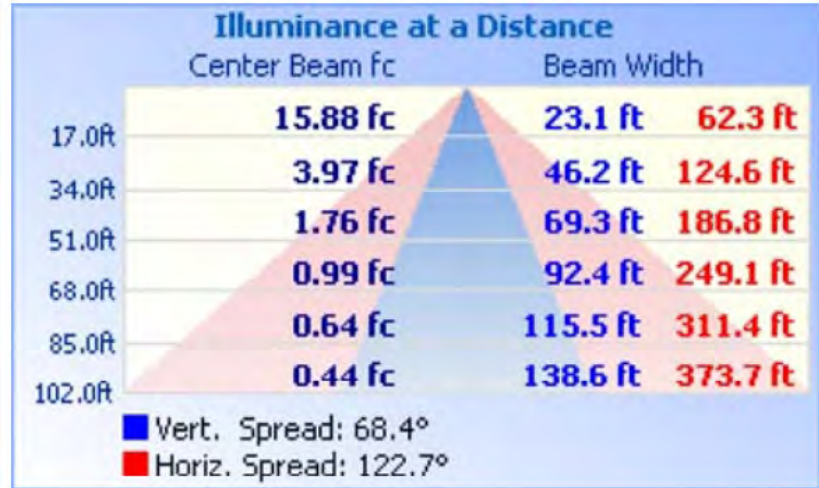
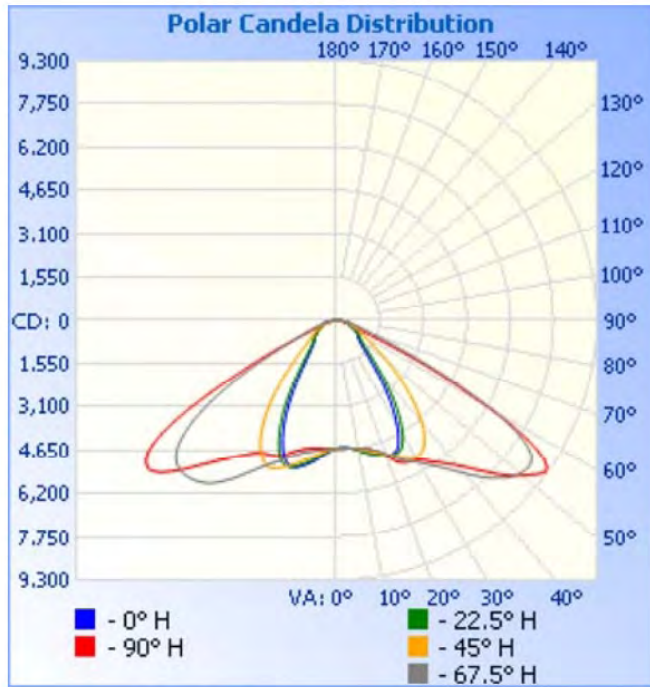


Meanwell Driver

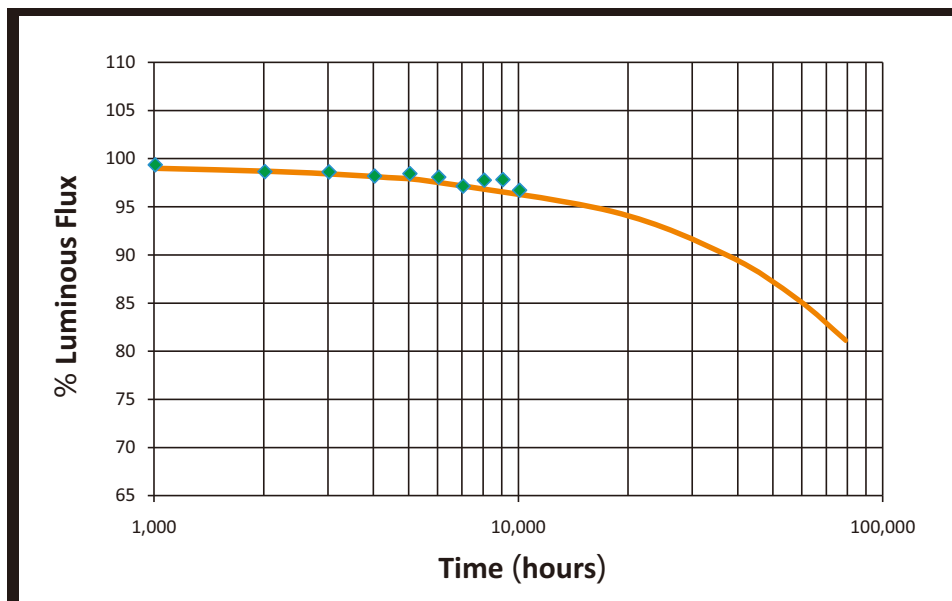
■ Dimensions



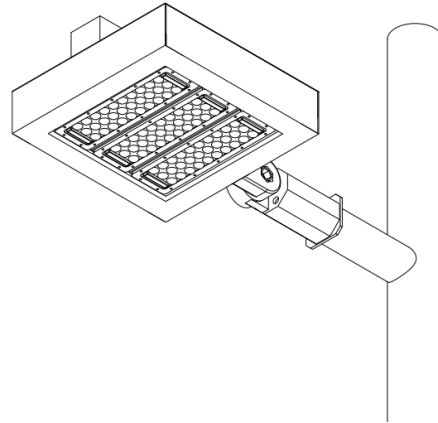
Distribution Curve



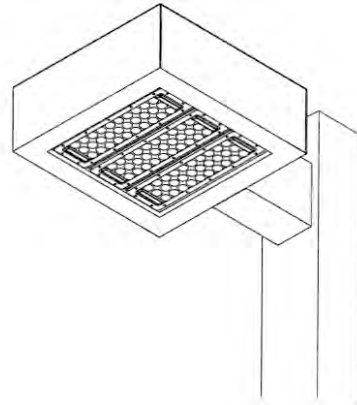
Luminous Decay Graph



■ Round Arm Bracket.

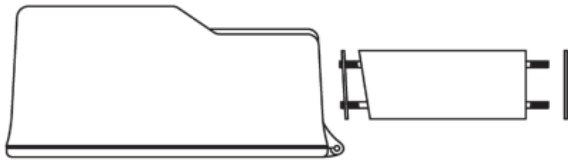


■ Square arm bracket.



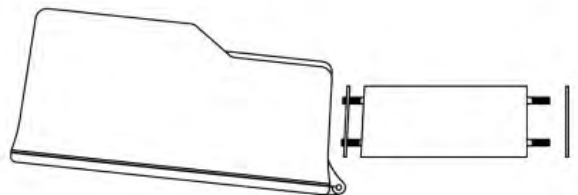
FIXED ARM

For full cutoff, mount arm oriented as shown below.

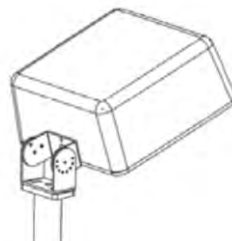


UP TILT FIXED ARM

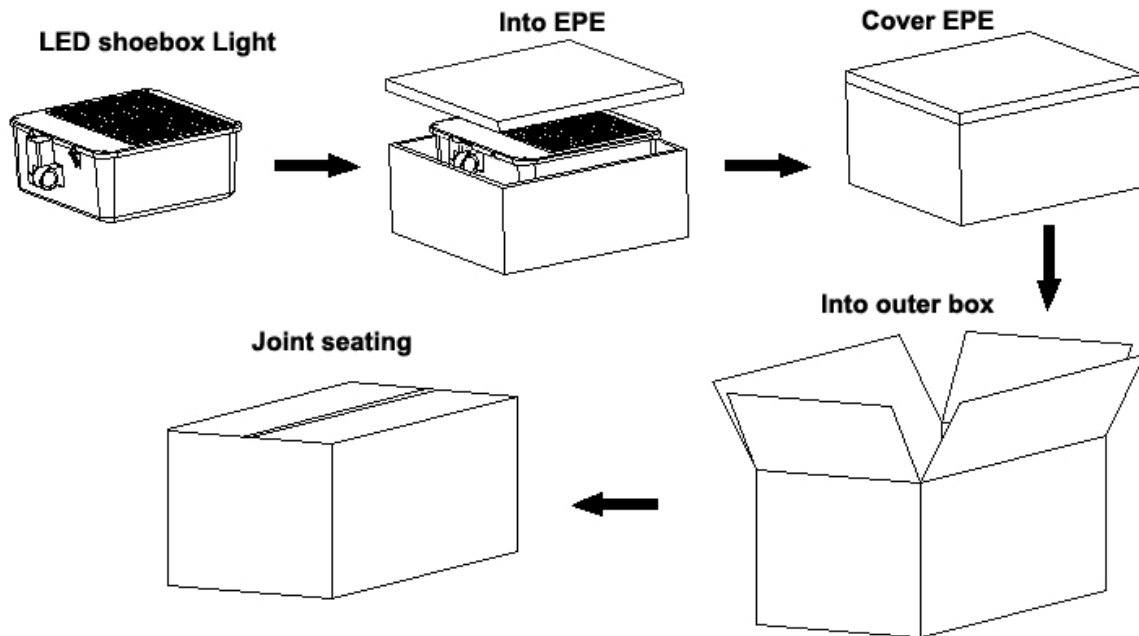
For 6 degree up tilt, mount arm oriented as shown below.



■ Swivel mounting bracket.



■ Shipping Information.



N.W: 10.0KG
G.W: 10.5KG
Package Size: 51*45*22cm