

EnduraliteLED 150W Flood Light



LM79
LM80

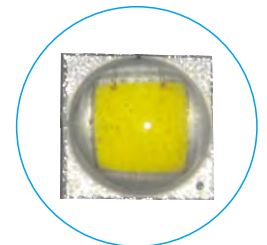


■ Specification

Model	HYD-SBAE
Power	150W
Lumens	CREE XTE
Lumens	1500-1650Lm
Certificate	DLC UL cUL
Voltage	AC100-277V/347-528V
Frequency	50/60Hz
PF	>0.95
CCT	3000-6500K
CRI	>75Ra
Beam Angle	120° or 78x132° or 45x143°
Housing Material	Al
Working Temperature	-30°C~60°C
Life Span	50,000hrs
Power Efficiency	≥90%
Warranty	5 years

■ Characteristics

- CREE XT-E chip , high luminous efficiency and L70 over 100,000 Hours
- MEAN WELL high efficiency LED driver
- Universal voltage AC90-277V, AC347-528V available
- Fins cooling design, better cooling light quality, LED Tj< 65°C
- Excellent optical design.
- Available with Photocell Sensor and Motion Sensor
- IP65 rating for outdoor use

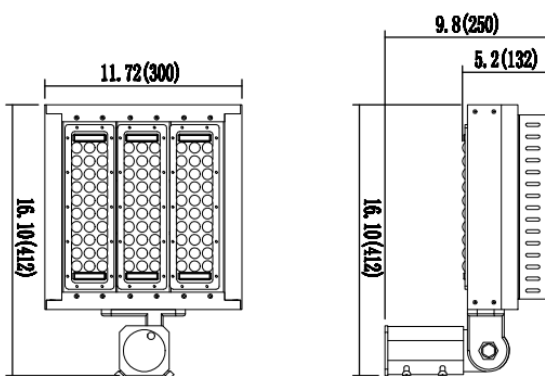


CREE LED

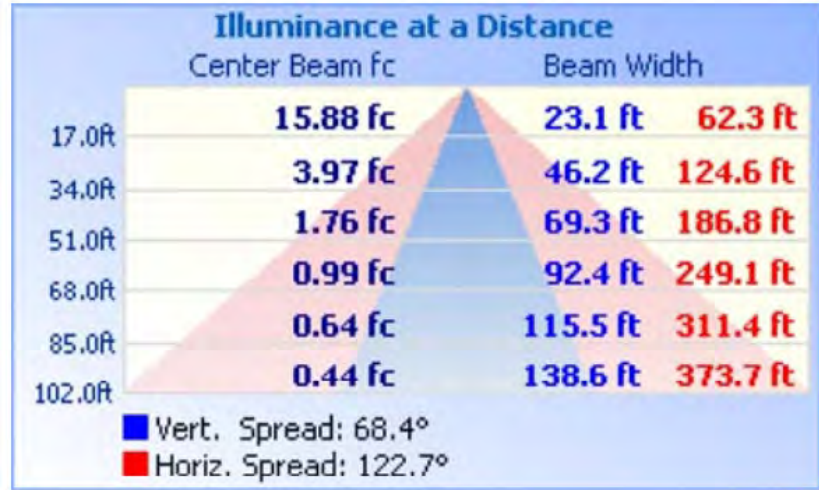
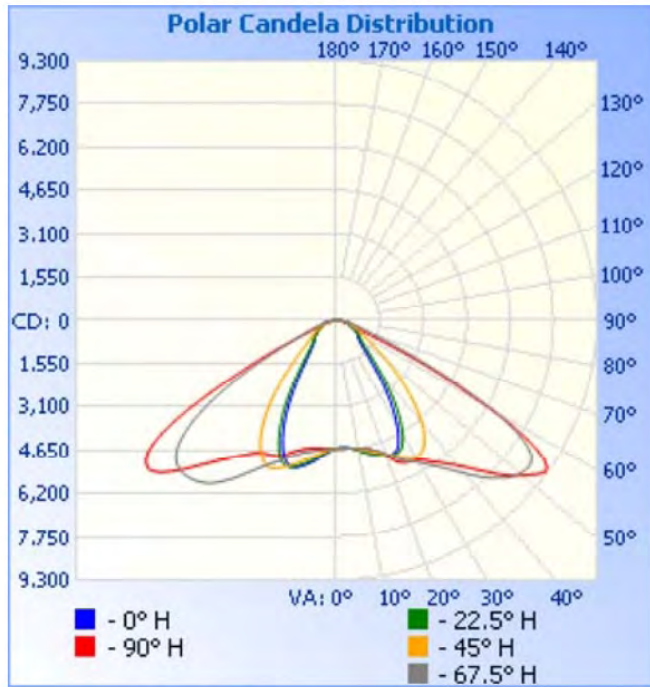


Meanwell Driver

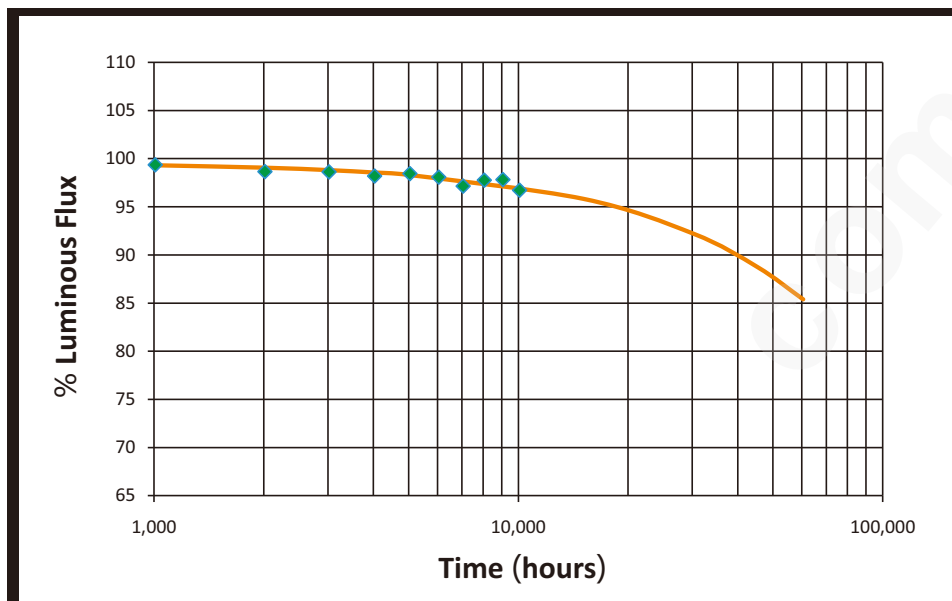
■ Dimensions



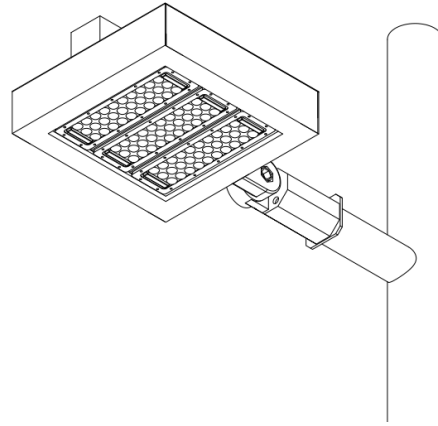
■ Distribution Curve



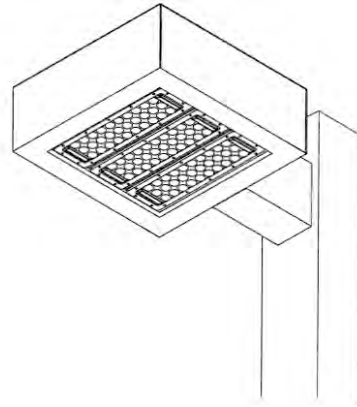
■ Luminous Decay Graph



■ Round Arm Bracket.

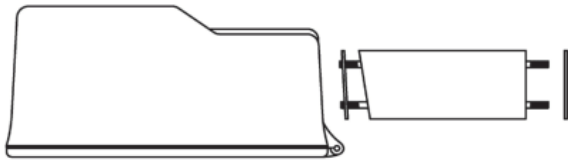


■ Square arm bracket.



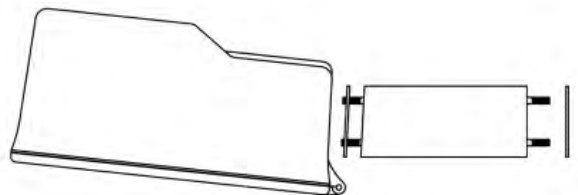
FIXED ARM

For full cutoff, mount arm oriented as shown below.

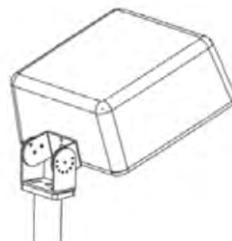


UP TILT FIXED ARM

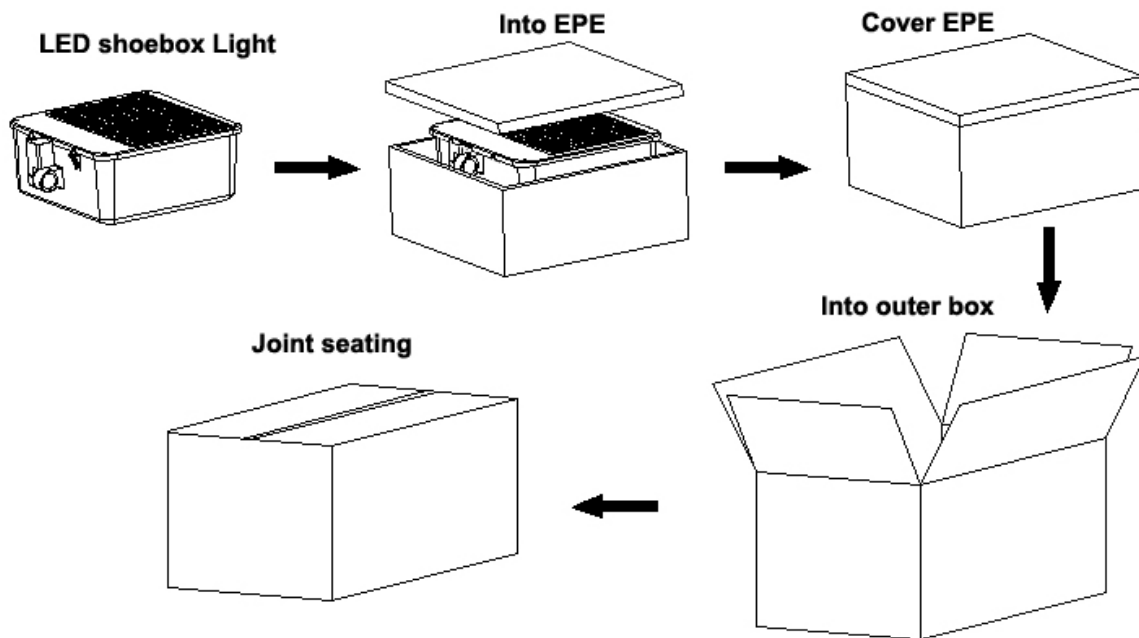
For 6 degree up tilt, mount arm oriented as shown below.



■ Swivel mounting bracket.



■ Packing



N.W: 10.0KG
G.W: 10.5KG
Package Size: 51*45*22cm