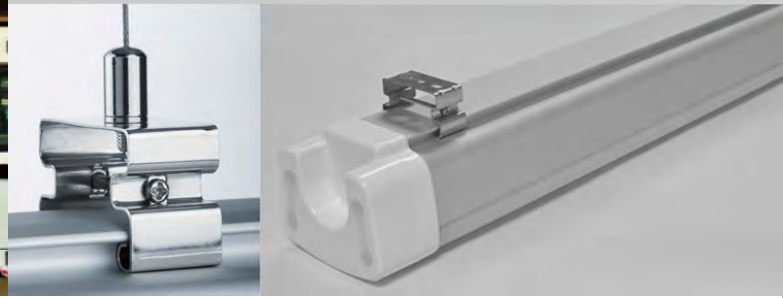


EnduraliteLED EcoLine IP65 Linear Fixture



SPECIFICATION

IP65 LED Fixture

Caution

- Please read the user manual before installation.
- Please install, connect and test the lamp according to local regulations, Lamps should always be installed or replaced with care by a professional electrical contractor.
- Ensure the power is switched off before installation.

Ordering Information.

$\frac{SL}{1} - \frac{A65}{2} \frac{X}{3} \frac{X}{4} - \frac{XX}{5} - \frac{X}{6} \frac{X}{7}$
 EX: $\frac{SL}{1} - \frac{A65F2}{2} - \frac{20}{34} - \frac{PB}{567}$

- 1: SL-LED Family#
- 2:A65:A-Aluminum Version; 65-IP65
- 3: X-Lens Type (S: Ribbed Lens, F :Frosted Lens)
- 4: X-Length , (2:2ft 60cm, 4:4ft 120cm, 5:5ft 150cm)
- 5:XX-Power consumption (20:20w, 30:30w,40:40w, 50:50w, 60: 60w)
- 6: X-Color Temperature (W: warm white, P: Pure white, C:cold white)
- 7: X-Extra Functions (B:Battery ,Emergency function , S: Sensor, microwave or PIR sensor , D:0/1-10V dimmable,T:Triac dimmable L: DALI dimmable)

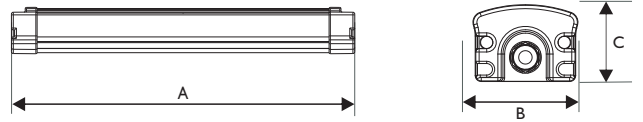
Features

- Unique patent design, TUV-GS, UL, DLC, ERP, CE certified. Water-proof, Dust-proof, Damp-proof.
- High luminous efficiency 130 -140LM/W.
- Excellent heat dissipation supports long lasting luminosity.
- Easy installation for in series connections.
- Low light decay, L70=50,000 Hours.
- High impact test, IK09.
- Energy saving up to 80%.
- 5 years warranty.

Application

- Underground Parkades
- Tunnel / Corridor / Gallery
- Railway / Bus / MTR Stations
- Warehouse / Factory
- Airport
- Exhibition Hall
- Supermarket
- Gas station

Dimension



length	A		B		C
	Min.mm	Min.mm	Max.mm	Min.mm	
1200	1200	91	92	69	
1500	1500	91	92	69	

Temperature Characteristics T-ambient 40°C

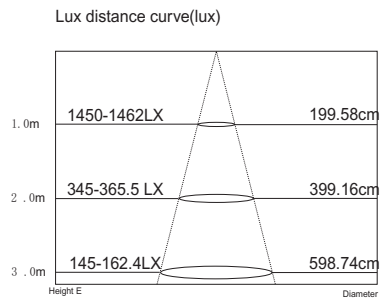
Temperature
 Operating: -20 ~ +50°C
 Storage: -40 ~ +85°C



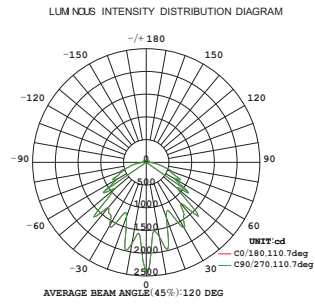
Data Sheet

Item code	Input Voltage	Power	LEDs	Working	PF	Luminous Flux	Luminous Efficiency	CRI	THD	Power Efficiency
SL-A65S4-33-X	200-240V/100-277V	33W	240	DC34-40V	>0.95	4290-4620LM	130-140LM/W	>80	<15%	>0.88
SL-A65F4-50-X	200-240V/100-277V	50W	288	DC34-40V	>0.95	6500-7000LM	130-140LM/W	>80	<15%	>0.88

Optical Parameter



Item code	1m	2m	3m
SL-A65S4-33-X	1462	365.5	162.4
SL-A65F4-50-X	2161	540	240.1



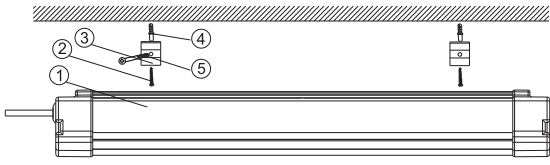
Item code	Beam Angle
SL-A65S4-33-X	120
SL-A65F4-50-X	120

Standard Ceiling Mounted Installation included in LED fixture cost

Standard parts list

1	LED Tri-proof Light	IPC
2	Self-tapping screws	4PCS
3	U-shape Brackets	2PCS
4	Slotted plastic screws	4PCS
5	PM4X40 screws	2PCS

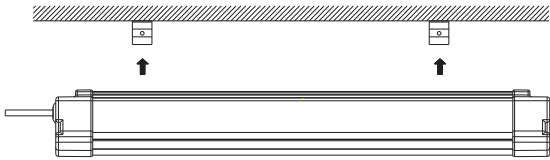
* Ceiling Mounted accessories included



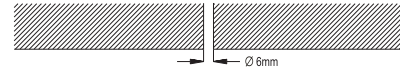
① Drill $\Phi 6\text{mm}$ holes on the roof/wall.



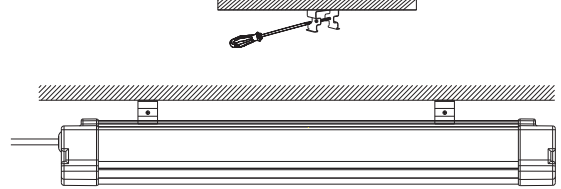
③ Ceiling Installation



② Insert $\Phi 6\text{mm}$ expansion pipe into the hole and fix the bracket by M4 screw.

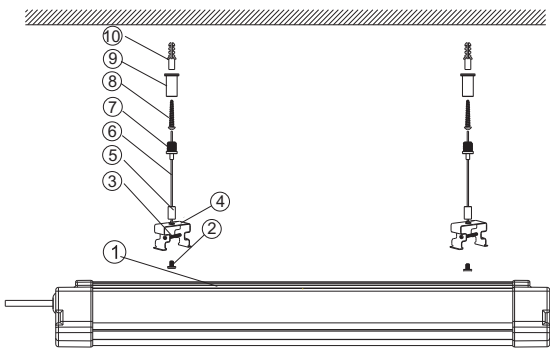


Tighten the screw with screwdriver



Optional Suspended Parts and Installation

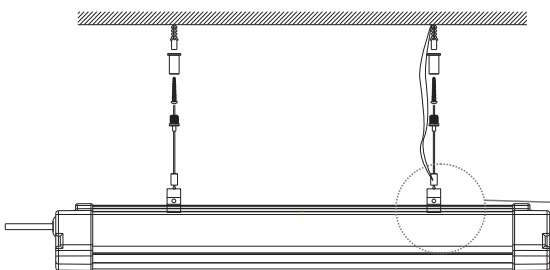
① Suspended way.



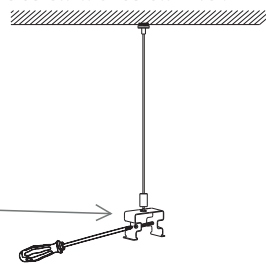
Optional Parts

1	LED Fixture	IPC
2	Ring washer	2PCS
3	Suspension fixing screws	2PCS
4	U-shape brackets	2PCS
5	Suspension fixing nuts	2PCS
6	Suspension wires	2PCS
7	Suspension fixing bushings	2PCS
8	Self-tapping screws	2PCS
9	light fixing bushing cap	2PCS
10	Slotted plastic screws	2PCS

② Hanging Installation.

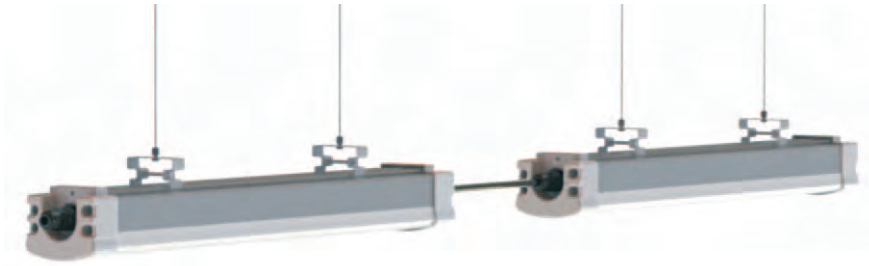


Tighten the screw with screwdriver.



Conventional UL/VDE standard wire for 18 AWG / 3 x 0.75MM²

Optional Series Connection



Available to be connected in series by fast connectors.

Optional Connector A:



1: Insert the wire into the terminal then use screw locking it.



2: Put the protector on the terminal.



3: Put on waterproof set.



4: Lock the waterproof sets tightly.

Optional Connector B:



1. Joint Female and Male connector together.



2. Lock the waterproof cap tightly.

The maximum number of lamps for in series connection

Item code	Size	Power	voltage	Max. Series Connection Q'TY	voltage	Max. Series Connection Q'TY
SL-A65X4-33-X	1200*91*74	33W	110V	13pcs	220V	27pcs
SL-A65X5-50-X	1500*91*74	50W	110V	10pcs	220V	21pcs

Wiring Diagram

Non Dimmable LED Lamp



(EU market-3 pole cable) (US market-3 pole cable)

L:	Brown	Black
N:	Blue	White
E:	Yellow-Green	Green

TRIAC Dimmable LED Fixture



(EU market-3 pole cable) (US market-3 pole cable)

L:	Brown	Black
N:	Blue	White
E:	Yellow-Green	Green

0/1-10V Dimmable LED Fixture



(EU market-5 pole cable) (US market-5 pole cable)

L:	Brown	Black
N:	Blue	White
E:	Yellow	Green
DIM+:	Red	Red
DIM-:	Green	Orange

DALI Dimmable LED Fixture



(EU market-5 pole cable) (US market-5 pole cable)

L:	Brown	Black
N:	Blue	White
E:	Yellow	Green
DA:	Red	Red
DA:	Green	Orange

Available Dimming Options

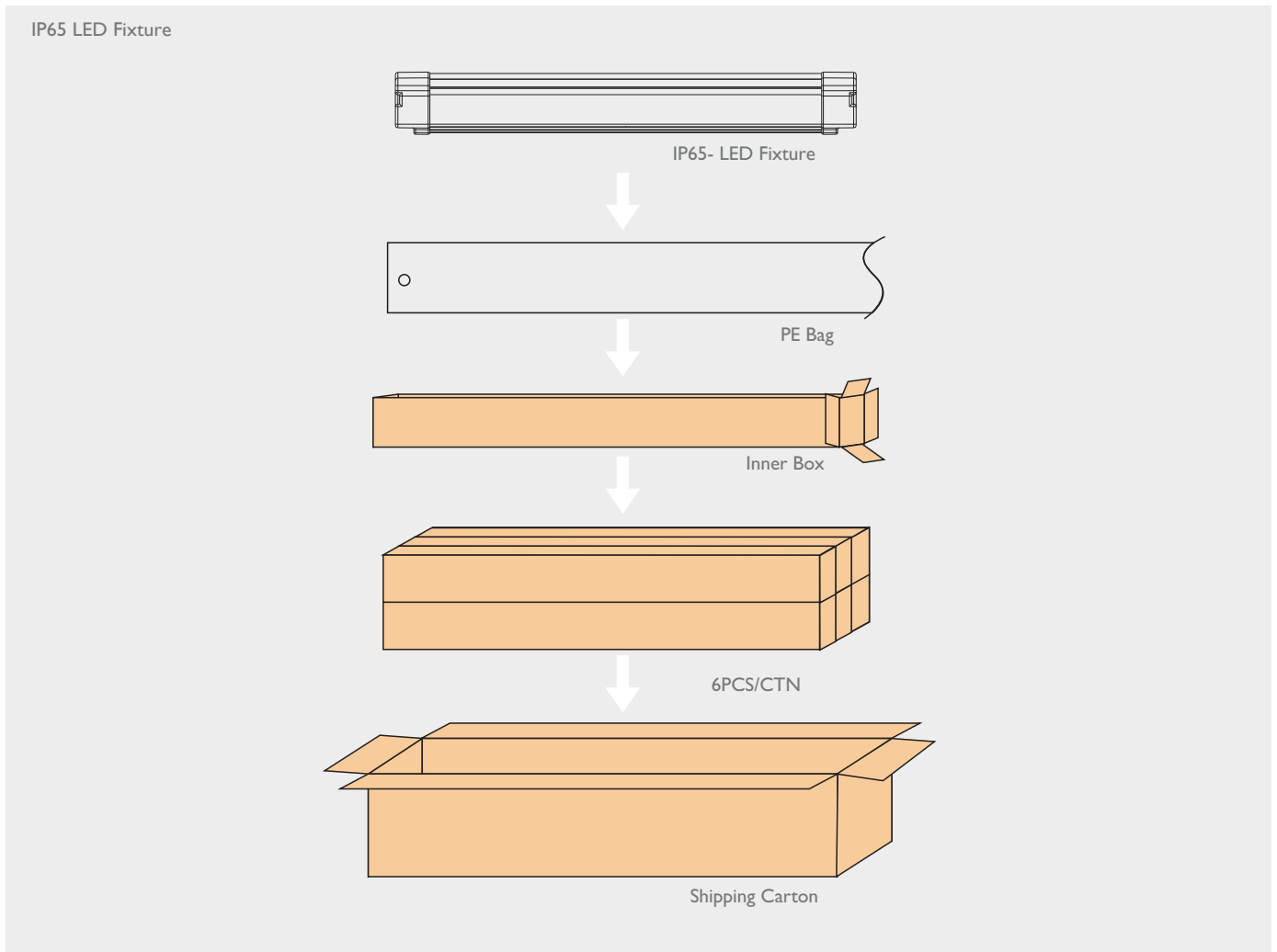
Suggested suitable dimmer brands for TRIAC & DALI dimming way:

Tridonic (European market)

Lutron & Leviton (American market)

Philips Dynalite & Clipsal (Australian market)

Package



Item code	Dimension	Carton Size	N.W. (kg) / PC	G. W. (kg) / CTN
SL-A65X4-33-X	1200*91*74mm	1295*255*270mm	2	16
SL-A65X5-50-X	1500*91*74mm	1595*255*270mm	2.6	20

Full specifications of IP65 Vapor Tight LED linear fixture

UL/DLC/L70		2'-20W				Product Picture	
Model #	SL-A65X2-20-X		Description:	IP65 Vapor Tight Light			
Dimension	mm	600*94*69	Viewing Angle	Degree	200°		
Led Type	Taiwan chip	0.5W SMD 2835	Color Index	Ra	80-85		
Led Qty	pcs	120	Power Factor	PF	>0.95		
Housing Material	AL housing+PC cover+AL board		LED forwarder Current	mA	50-55		
Luminous (LM)	2400-2800		THD		≤12%		
Luminous Efficiency	LM/W	120-140	Environment Temperature	℃	-20~+45		
Input Voltage	V	AC100-277	Waterproof	Level	IP65		
Working Voltage	V	DC30-40	Lifespan	Hr	50000		
Power Consumption	W	20W	warranty	year	5		
Color Temperature	TC	WW:3000-3500K, 4000-4500K, PW:4500-5000K, 5000-5500K, 5500-6000K, CW:>6000K					
UL/DLC/L70		2'-30W				Product Picture	
Model #	SL-A65X2-30-X		Description:	IP65 Vapor Tight Light			
Dimension	mm	600*94*69	Viewing Angle	Degree	200°		
Led Type	Taiwan chip	0.5W SMD 2835	Color Index	Ra	80-85		
Led Qty	pcs	180	Power Factor	PF	>0.95		
Housing Material	AL housing+PC cover+AL board		LED forwarder Current	mA	50-55		
Luminous (LM)	3600-4200		THD		≤12%		
Luminous Efficiency	LM/W	120-140	Environment Temperature	℃	-20~+45		
Input Voltage	V	AC100-277	Waterproof	Level	IP65		
Working Voltage	V	DC30-40	Lifespan	Hr	50000		
Power Consumption	W	30W	warranty	year	5		
Color Temperature	TC	WW:3000-3500K, 4000-4500K, PW:4500-5000K, 5000-5500K, 5500-6000K, CW:>6000K					
UL/DLC/L70		4'-40W				Product Picture	
Model#	SL-A65X4-40-X		Description:	IP65 Vapor Tight Light			
Dimension	mm	1200*94*69	Viewing Angle	Degree	200°		
Led Type	Taiwan chip	0.5W SMD 2835	Color Index	Ra	80-85		
Led Qty	pcs	240	Power Factor	PF	>0.95		
Housing Material	AL housing+PC cover+AL board		LED forwarder Current	mA	50-55		
Luminous (LM)	4800-5600		THD		≤12%		
Luminous Efficiency	LM/W	120-140	Environment Temperature	℃	-20~+45		
Input Voltage	V	AC100-277	Waterproof	Level	IP65		
Working Voltage	V	DC30-40	Lifespan	Hr	50000		
Power Consumption	W	40W	warranty	year	5		
Color Temperature	TC	WW:3000-3500K, 4000-4500K, PW:4500-5000K, 5000-5500K, 5500-6000K, CW:>6000K					

UL/DLC/L70						4'-50W					
Model#	SL-A65X4-50-X		Description:	IP65 Vapor Tight Light		Product Picture					
Dimension	mm	1200*94*69	Viewing Angle	Degree	200°						
Led Type	Taiwan chip	0.5W SMD 2835	Color Index	Ra	80-85						
Led Qty	pcs	288	Power Factor	PF	>0.95						
Housing Material	AL housing+PC cover+AL board		LED forwarder Current	mA	50-55						
Luminous (LM)	6000-7000		THD		≤12%						
Luminous Efficiency	LM/W	120-140	Environment Temperature	°C	-20-+45						
Input Voltage	V	AC100-277	Waterproof	Level	IP65						
Working Voltage	V	DC30-40	Lifespan	Hr	50000						
Power Consumption	W	50W	warranty	year	5						
Color Temperature	TC	WW:3000-3500K, 4000-4500K, PW:4500-5000K, 5000-5500K, 5500-6000K, CW:>6000K									
5'-50W											
Model#	SL-A65X5-50-X		Description:	IP65 Vapor Tight Light							Product Picture
Dimension	mm	1500*94*69	Viewing Angle	Degree	200°						
Led Type	Taiwan chip	0.5W SMD 2835	Color Index	Ra	80-85						
Led Qty	pcs	288	Power Factor	PF	>0.95						
Housing Material	AL housing+PC cover+AL board		LED forwarder Current	mA	50-55						
Luminous (LM)	6000-7000		THD		≤12%						
Luminous Efficiency	LM/W	120-140	Environment Temperature	°C	-20-+45						
Input Voltage	V	AC100-277	Waterproof	Level	IP65						
Working Voltage	V	DC30-40	Lifespan	Hr	50000						
Power Consumption	W	50W	warranty	year	5						
Color Temperature	TC	WW:3000-3500K, 4000-4500K, PW:4500-5000, 5000-5500, 5500-6000K, CW:>6000K									
5'-60W											
Model#	SL-A65X5-60-X		Description:	IP65 Vapor Tight Light							Product Picture
Dimension	mm	1500*94*69	Viewing Angle	Degree	200°						
Led Type	Taiwan chip	0.5W SMD 2835	Color Index	Ra	80-85						
Led Qty	pcs	336	Power Factor	PF	>0.95						
Housing Material	AL housing+PC cover+AL board		LED forwarder Current	mA	50-55						
Luminous (LM)	7200-8400		THD		≤12%						
Luminous Efficiency	LM/W	120-140	Environment Temperature	°C	-20-+45						
Input Voltage	V	AC100-277	Waterproof	Level	IP65						
Working Voltage	V	DC30-40	Lifespan	Hr	50000						
Power Consumption	W	60W	warranty	year	5						
Color Temperature	TC	WW:3000-3500K, 4000-4500K, PW:4500-5000K, 5000-5500K, 5500-6000K, CW:>6000K									