

EnduraliteLED Large Full cutoff wall pack

Features

- Suitable for WET location/Outdoor
- Full Cutoff and compliance to Dark Sky requirement
- Lumen output from 8500-13000lm, to replace 250-400W
- MH Type III polycarbonate optical lens with UV stabilizers
- Built-in UL class 2 driver, with optional photocell
- UL/cUL and DLC Approved for 120V



Applications

- Security, pathway and perimeter lighting
- Building entryways and walkways



Specification

Specification/ Model	WPF90W27V50KD	WPF95W34V50KD	WPF135W27V50KD	WPF145W34V50KD
Input Power	90W	95W	135W	145W
Lumens output	8500lm	8500lm	13000lm	13000lm
Efficacy	94lm/W	89lm/W	96lm/W	90lm/W
CRI	80			
Color Temperature	5000K			
Input Voltage	120-277V	347V	120-277V	347V
Operating Temperature	-40C to +40C			
Optical Lens	Polycarbonate (UL Recognized) (f1) Suitable for outdoor use with respect to exposure to Ultraviolet Light, Water Exposure and Immersion in accordance with UL 746C			
Mounting	U			
Photocell	120V or 277VAC (UL and CSA listed) 3/4in long threaded nipple,30-45 second time delay, Power Consumption: less than 0.9 watts at 120 VAC			

Ordering Guide

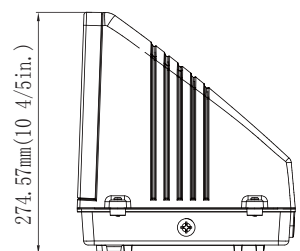
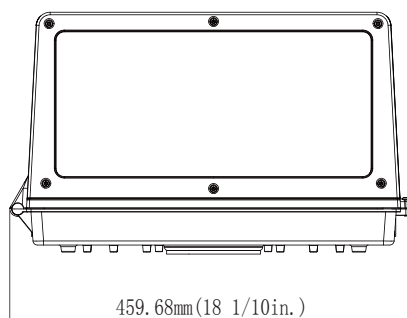
EXAMPLE: WPF 90W 27V 40K D P1

Fixture Type	Power Consumption	Input Voltage	CCT	Finish	Sensor (Option)
WPF Full Cutoff Large Wall Pack	90W 90Watts	27V 120-277V	35K 3500K	D Dark Bronze	P1 120V Photocell
	95W 95Watts	34V 347V	40K 4000K		P2 277V Photocell
	135W 135Watts		50K 5000K		Blank without Photocell
	145W 145Watts				

NOTES: 1. 277V driver operates on 120-277V (50/60 Hz), Specify 120 and 208-277 options only when ordering with photocell.
2. 90W and 135W are limited to 120-277V input only; 95W and 145W are limited to 347V input only.

Dimension

unit: inch/mm



Ordering Information

Ordering	Rated	Luminaire	Wattage	CCT	Initial	Luminaire	Rated	CRI	Power	Dimmable	PhotoCell	Certificate
Code	Voltage(VAC)	Shape	(W)		Lumens(lm)	Efficacy(lpw)	Life(hrs)		Factor			
WPF90W27V40KD	120-277	Large Full Cutoff Wall Pack	90	4000K	8500	94	50000	80	0.9	NO	NO	UL / DLC
WPF90W27V50KD	120-277	Large Full Cutoff Wall Pack	90	5000K	8500	94	50000	80	0.9	NO	NO	UL / DLC
WPF90W27V40KDP1	120	Large Full Cutoff Wall Pack	90	4000K	8500	94	50000	80	0.9	NO	YES	UL / DLC
WPF90W27V50KDP1	120	Large Full Cutoff Wall Pack	90	5000K	8500	94	50000	80	0.9	NO	YES	UL / DLC
WPF90W27V40KDP2	277	Large Full Cutoff Wall Pack	90	4000K	8500	94	50000	80	0.9	NO	YES	UL / DLC
WPF90W27V50KDP2	277	Large Full Cutoff Wall Pack	90	5000K	8500	94	50000	80	0.9	NO	YES	UL / DLC
WPF95W34V40KD	347	Large Full Cutoff Wall Pack	95	4000K	8500	89	50000	80	0.9	NO	NO	UL / DLC
WPF95W34V50KD	347	Large Full Cutoff Wall Pack	95	5000K	8500	89	50000	80	0.9	NO	NO	UL / DLC
WPF95W34V40KDP2	347	Large Full Cutoff Wall Pack	95	4000K	8500	89	50000	80	0.9	NO	YES	UL / DLC
WPF95W34V50KDP2	347	Large Full Cutoff Wall Pack	95	5000K	8500	89	50000	80	0.9	NO	YES	UL / DLC
WPF135W27V40KD	120-277	Large Full Cutoff Wall Pack	135	4000K	13000	96	50000	80	0.9	NO	NO	UL / DLC
WPF135W27V50KD	120-277	Large Full Cutoff Wall Pack	135	5000K	13000	96	50000	80	0.9	NO	NO	UL / DLC
WPF135W27V40KDP1	120	Large Full Cutoff Wall Pack	135	4000K	13000	96	50000	80	0.9	NO	YES	UL / DLC
WPF135W27V50KDP1	120	Large Full Cutoff Wall Pack	135	5000K	13000	96	50000	80	0.9	NO	YES	UL / DLC
WPF135W27V40KDP2	277	Large Full Cutoff Wall Pack	135	4000K	13000	96	50000	80	0.9	NO	YES	UL / DLC
WPF135W27V50KDP2	277	Large Full Cutoff Wall Pack	135	5000K	13000	96	50000	80	0.9	NO	YES	UL / DLC
WPF145W34V40KD	347	Large Full Cutoff Wall Pack	145	4000K	13000	90	50000	80	0.9	NO	NO	UL / DLC
WPF145W34V50KD	347	Large Full Cutoff Wall Pack	145	5000K	13000	90	50000	80	0.9	NO	NO	UL / DLC
WPF145W34V40KDP2	347	Large Full Cutoff Wall Pack	145	4000K	13000	90	50000	80	0.9	NO	YES	UL / DLC
WPF145W34V50KDP2	347	Large Full Cutoff Wall Pack	145	5000K	13000	90	50000	80	0.9	NO	YES	UL / DLC

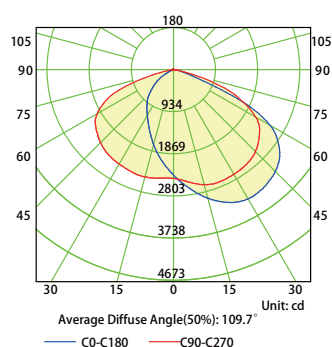
Energy Saving Replacement

MODEL #	Replacing
WPF90W27V50KD WPF95W34V50KD	250W MH
WPF135W27V50KD WPF145W34V50KD	400W MH

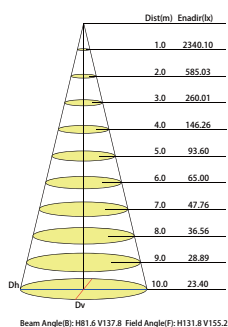
Photometrics

WPF90W27V40KD WPF95W34V40KD

Luminous Intensity Distribution Curve

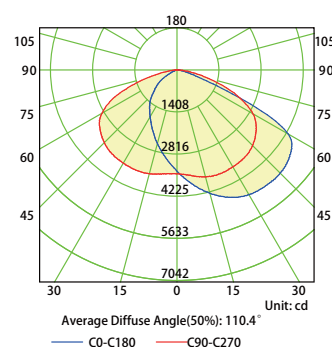


Illuminance at a Distance



WPF135W27V50KD WPF145W27V40KD

Luminous Intensity Distribution Curve



Illuminance at a Distance

